

WPO 12-27E



Polisher



SERVICE

Tool service and maintenance must be performed only by qualified repair personnel.

When servicing a tool, only use identical replacement parts available from FEIN.

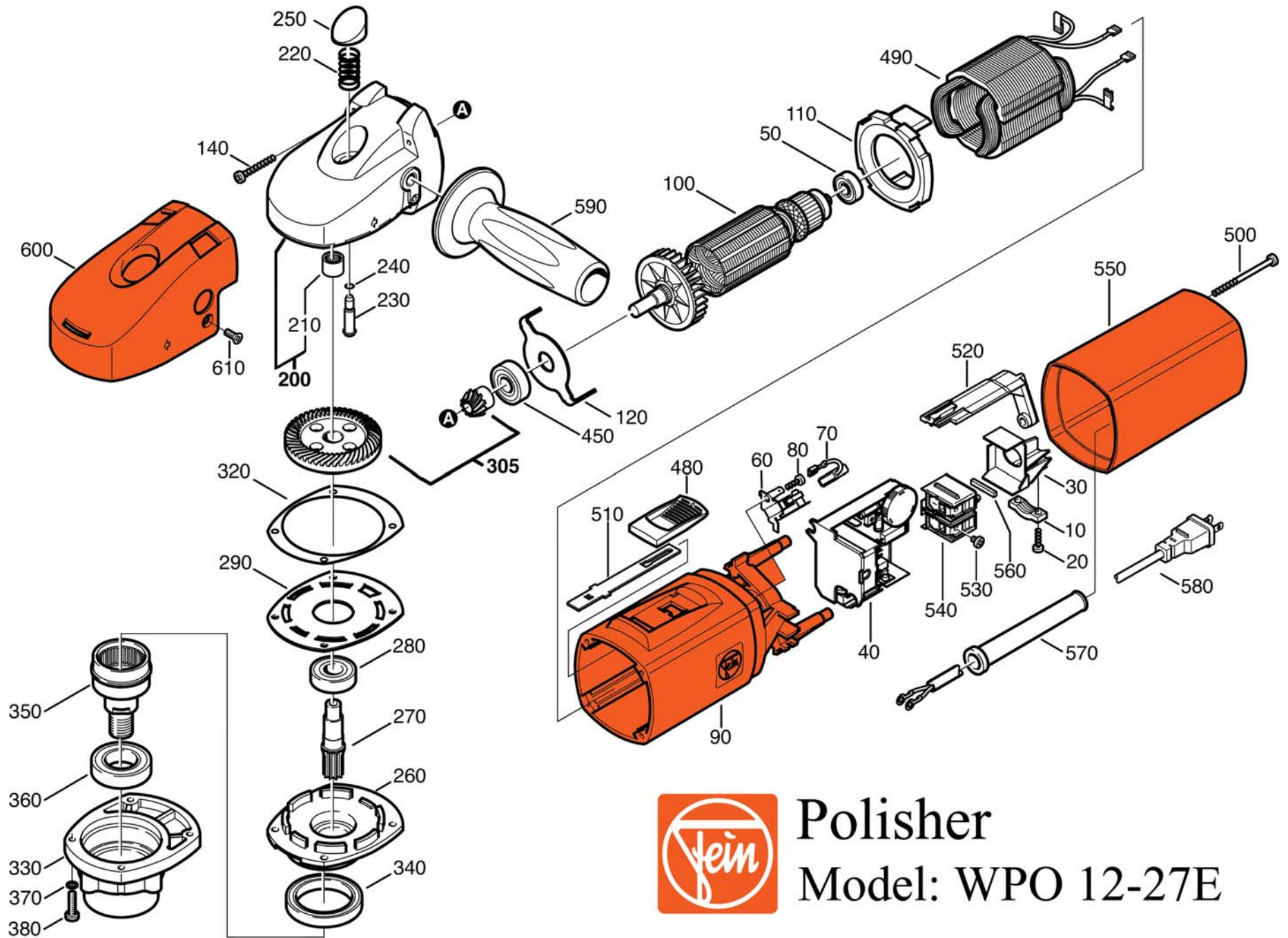
Repairs on FEIN Power Tools required the use of special tools (pulling devices and bearing press). Authorized repair centers have trained repair technicians and equipment necessary to perform these repairs. Service or repairs performed by unqualified persons could result in operator injury.

For the location of the repair center near you, please call 1-800-441-9878. Monday thru Friday, 9AM to 5PM EST. Or, look on our web site at www.feinus.com and follow the link to "Authorized Warranty Repair Centers"

**FEIN Power Tools
1030 Alcon Street
Pittsburgh, PA 15220**

Phone: 412-922-8886 Fax: 412-922-8767 Toll Free: 1-800-441-9878

November 24, 2003



Polisher

Model: WPO 12-27E

Fein Power Tools

WPO 12-27E Parts List

<u>Item</u>	<u>Item Number</u>	<u>Description</u>	<u>Reqd</u>
10	3-24-31-021-00-7	CLAMP CLAMPING PIECE	1
20	4-30-70-001-00-6	SCREW	2
30	3-24-31-040-00-6	STRAIN RELIEF	1
40	3-07-62-233-99-9	SPEED CONTROL	1
50	4-17-01-001-17-2	BALL BEARING	1
60	3-07-12-088-01-3	BRUSH HOLDER	2
70	3-07-11-132-00-3	CARBON BRUSH	2
80	4-30-70-018-00-9	SCREW	2
90	3-19-01-114-01-4	MOTOR HOUSING	1
100	5-3-273-001-11-7	ARMATURE	1
110	3-14-28-118-00-7	AIR CONDUCTING RING	1
120	3-24-16-098-00-5	COVER PLATE	1
140	4-30-70-007-00-2	SCREW	4
200	3-12-06-110-01-5	GEAR HOUSING	1
210	4-17-05-019-00-1	NEEDLE BEARING	1
220	3-09-01-032-00-3	SPRING	1
230	3-02-17-327-00-3	RETENTION PIN	1
240	4-06-12-137-00-8	SEALING RING	1
250	3-28-05-185-00-2	RETENTION BUTTON	1
260	3-24-19-116-00-9	BEARING PLATE	1
270	3-37-13-065-00-3	SPUR WHEEL SHAFT (10T)	1
280	4-17-01-010-05-4	BALL BEARING	1
290	3-24-16-101-00-9	COVER PLATE	1
305	3-38-09-229-01-2	BEVEL GEAR (9/44T)	1
320	3-26-24-117-00-9	WASHER	1
330	3-15-08-241-00-3	OUTER BEARING	1
340	4-17-01-110-22-8	BALL BEARING	1
350	3-38-04-023-00-2	RIM GEAR SHAFT (27T)	1
360	4-17-01-109-05-1	BALL BEARING	1
370	4-24-43-003-04-3	SECURING DISC	4
380	4-30-41-027-04-5	SCREW	4
450	4-17-01-007-03-8	BALL BEARING	1
480	3-28-05-156-00-8	SLIDING SWITCH	1
490	5-1-273-001-11-5	FIELD COIL	1
500	4-30-70-017-00-1	SCREW	2
510	3-28-16-055-00-0	SWITCH BAR	1
520	3-28-16-052-00-4	SWITCH ROD	1
530	4-30-03-013-99-1	SCREW	1
540	3-07-01-218-00-3	ON/OFF SWITCH	1
550	3-12-01-101-00-8	COVER	1
560	3-14-15-082-00-4	BOLSTER	1
570	3-14-13-007-00-7	PROTECTIVE SLEEVE	1
580	3-07-05-051-99-9	CABLE	1
600	3-14-28-125-00-1	HOOD	1
610	4-30-64-020-04-9	SCREW	2
590	3-21-19-107-01-6	SIDE HANDLE	1